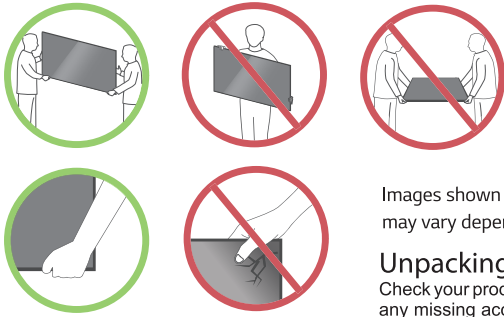


NANO80\*

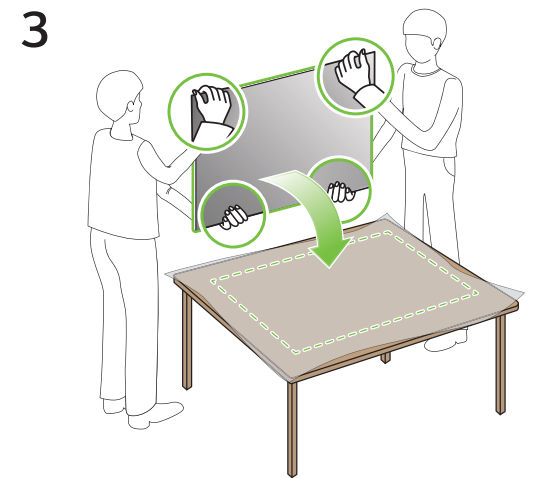
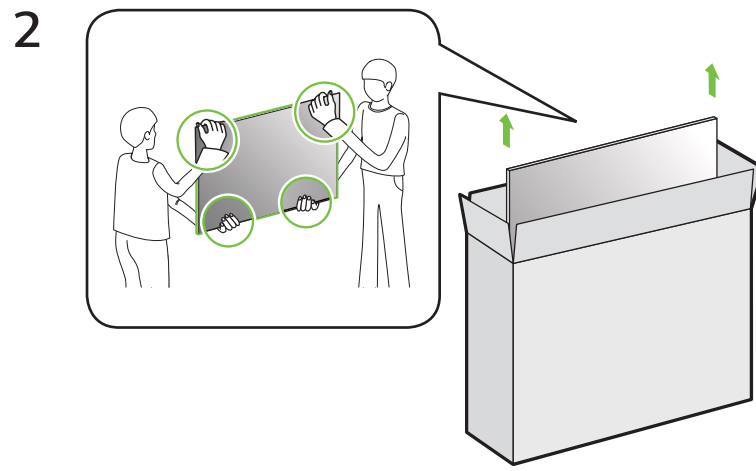
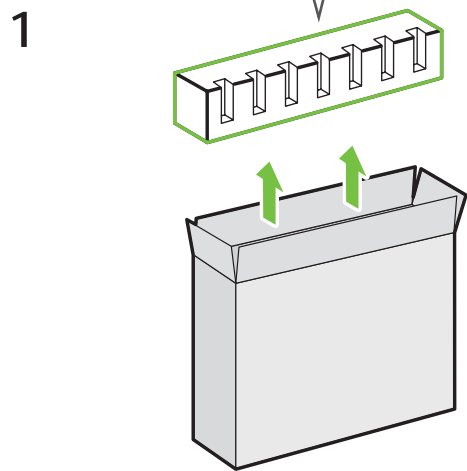
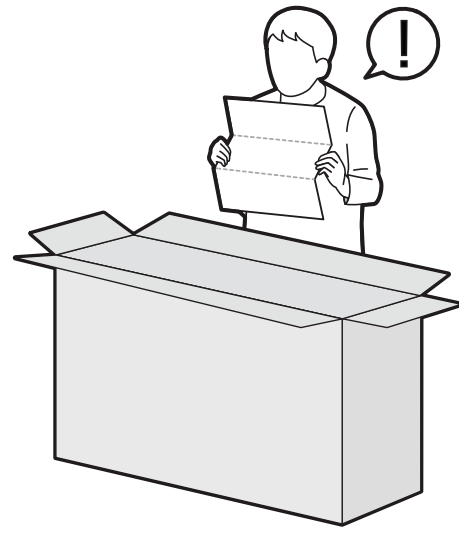
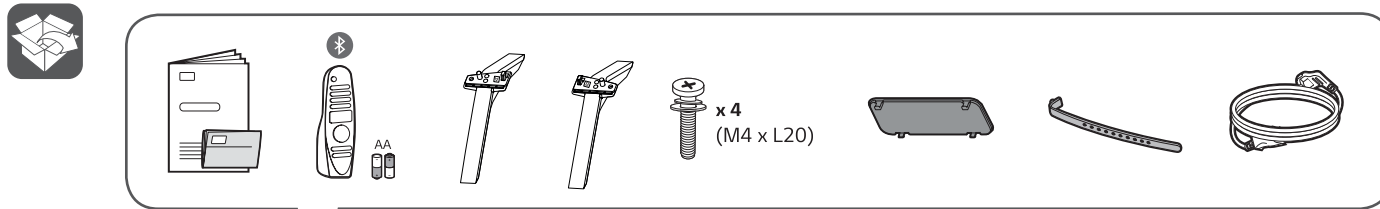
# Quick Start Guide



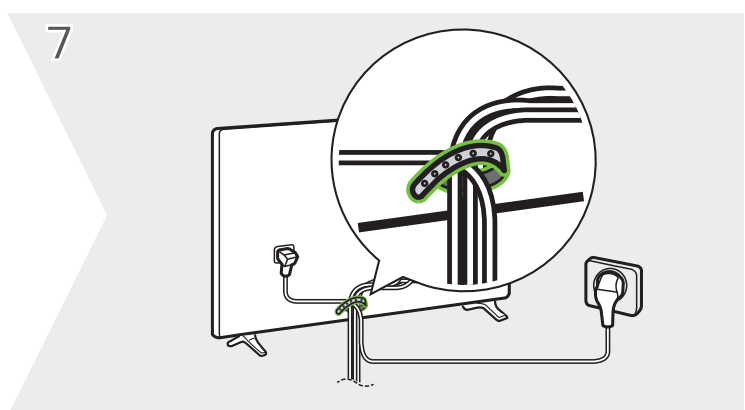
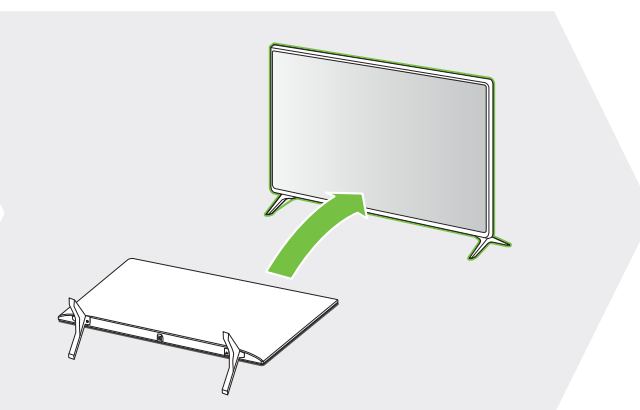
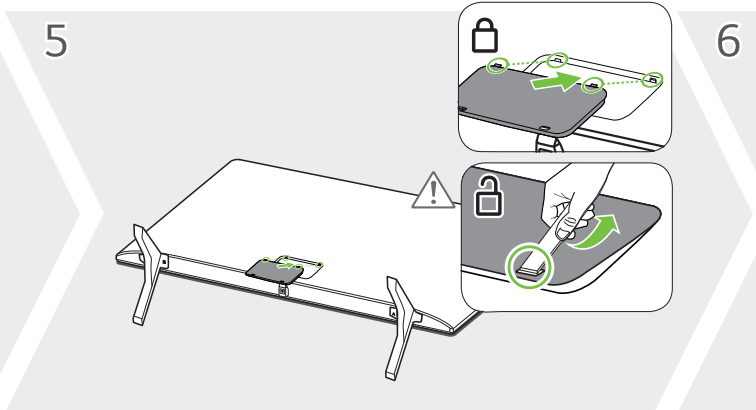
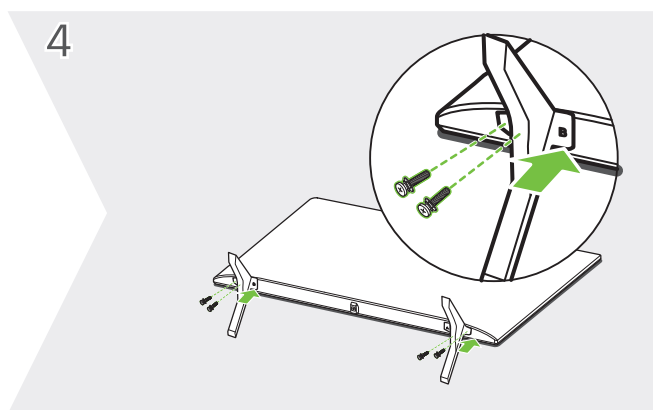
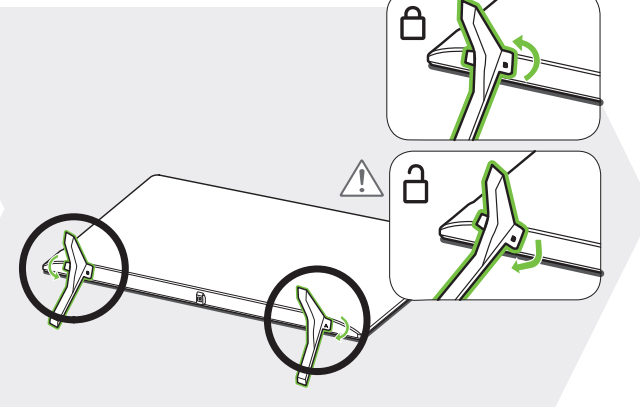
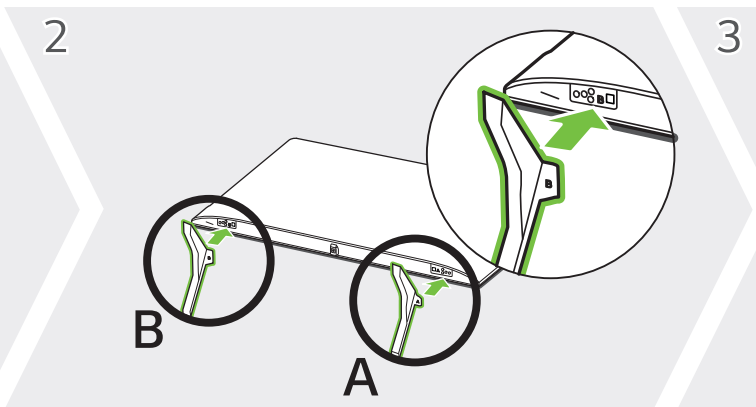
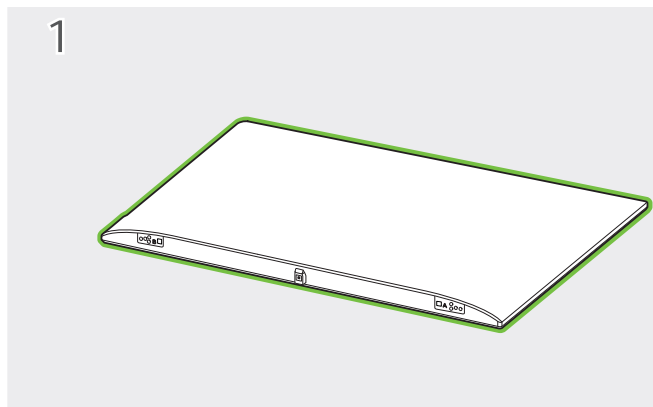
Images shown in manual may vary depending on model

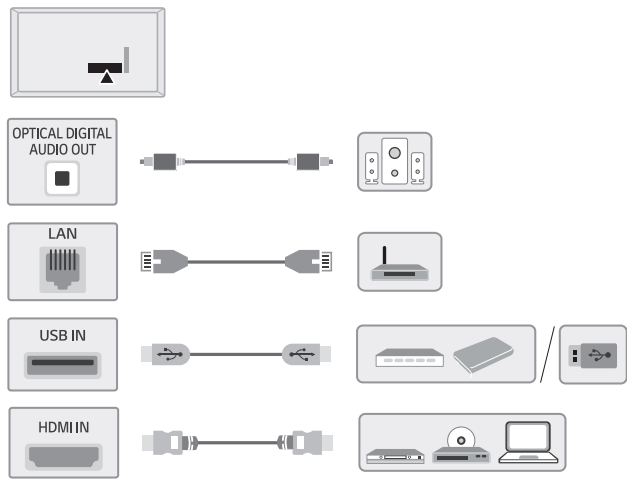
## Unpacking

Check your product box for the following items. If there are any missing accessories, contact the local dealer where you purchased your product. The illustrations in this manual may differ from the actual product and item.



**CAUTION**  
Image shown may differ from your TV  
When attaching the stand to the TV set, place the screen facing down on a cushioned table or flat surface to protect the screen from scratches.



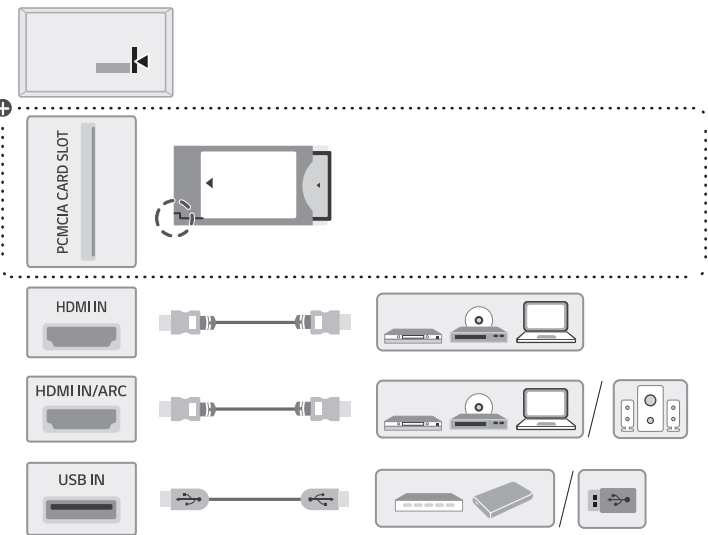
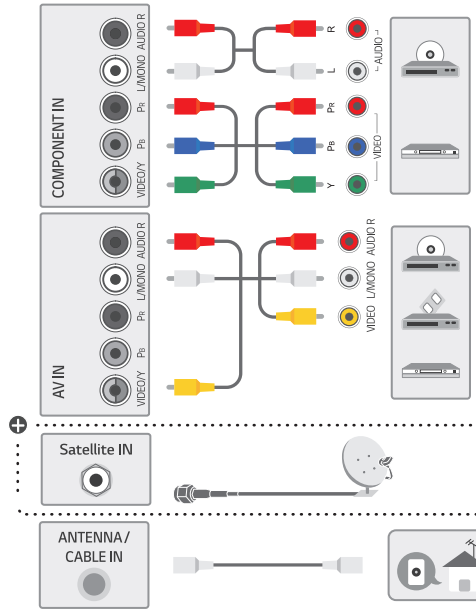


**NOTE**

- Do not look into the optical output port. Looking at the laser beam may damage your vision.
- Audio with ACP (Audio Copy Protection) function may block digital audio output.

**NOTE**

- Some USB Hubs may not work. If a USB device connected using a USB Hub is not detected, connect it to the USB port on the TV directly.
- Connect the external power source if your USB is needed.

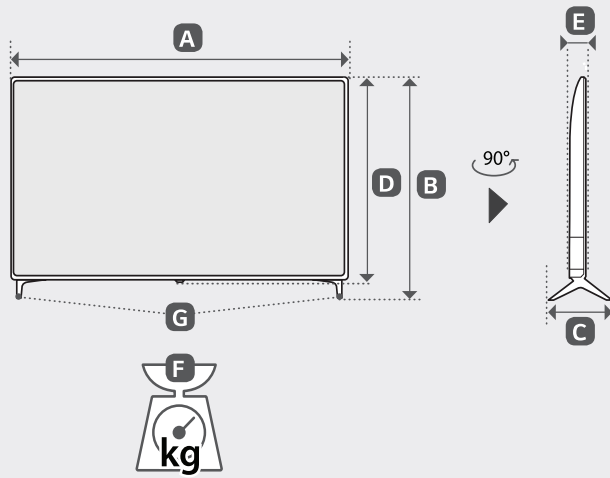
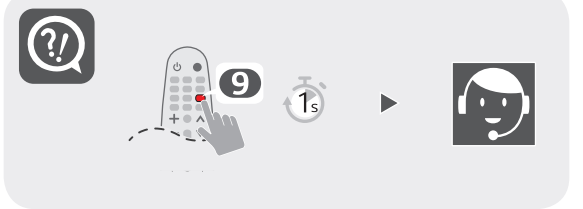
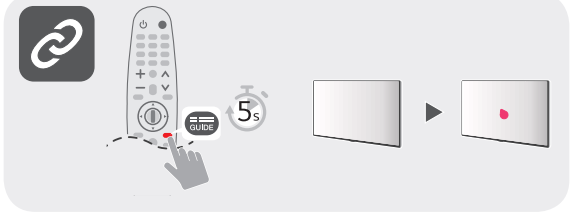
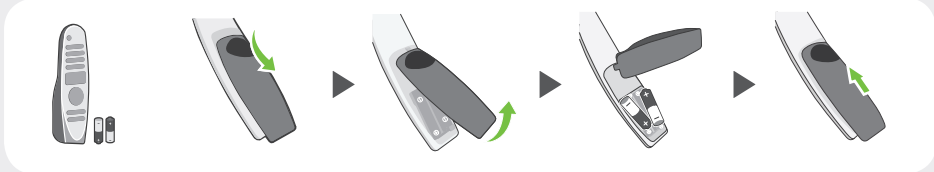


**ARC (Audio Return Channel)**

- An external audio device that supports SIMPLINK and ARC must be connected using HDMI IN/ARC port.
- When connected with a high-speed HDMI cable, the external audio device that supports ARC outputs SPDIF audio without additional audio cable and supports the SIMPLINK function.

**NOTE**

- Some USB Hubs may not work. If a USB device connected using a USB Hub is not detected, connect it to the USB port on the TV directly.
- Connect the external power source if your USB is needed.



|                            | A                         | B   | C   | D   | E    | F    | F-G  |
|----------------------------|---------------------------|-----|-----|-----|------|------|------|
|                            | (mm)                      |     |     |     |      | (kg) |      |
| 49NANO80TNA<br>49NANO80VNA | 1096                      | 695 | 232 | 640 | 63.6 | 14.4 | 14.2 |
| 55NANO80TNA<br>55NANO80VNA | 1232                      | 771 | 232 | 716 | 63.6 | 17.6 | 17.4 |
| Power requirement          | AC 100-240 V - 50 / 60 Hz |     |     |     |      |      |      |



**ENGLISH**

Read **Safety and Reference**.

Due to environmental government regulations about imports and battery destruction in Colombia, TVs will not include the batteries for the remote control.

**Easy Setup Guide**

Please read this manual carefully before operating your set and retain it for future reference.

⊕ : Depending upon model