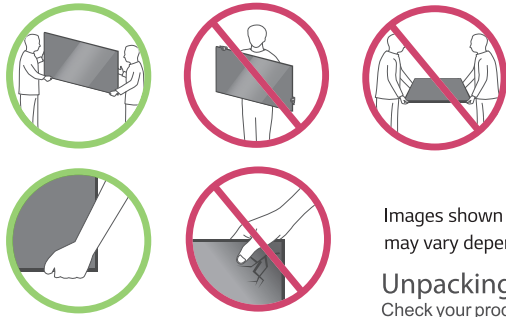


OLED55BX*
OLED65BX*

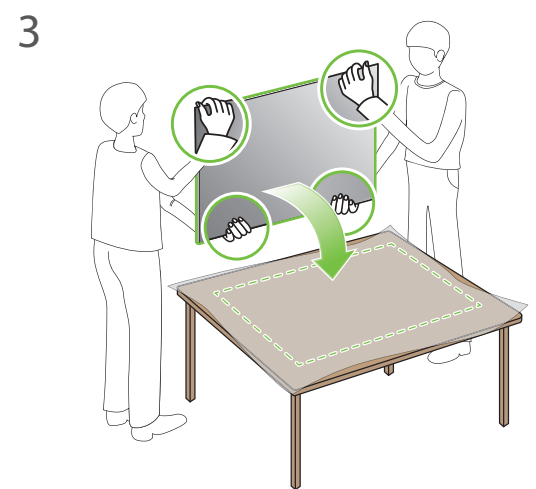
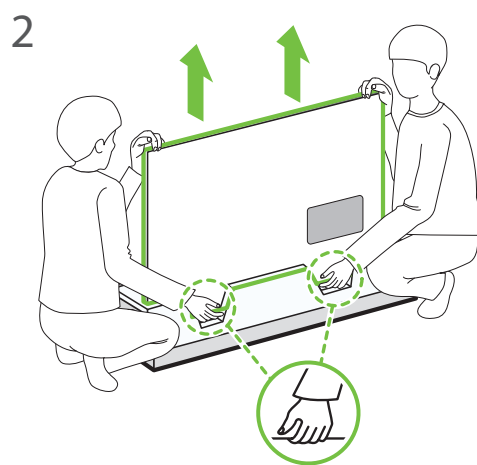
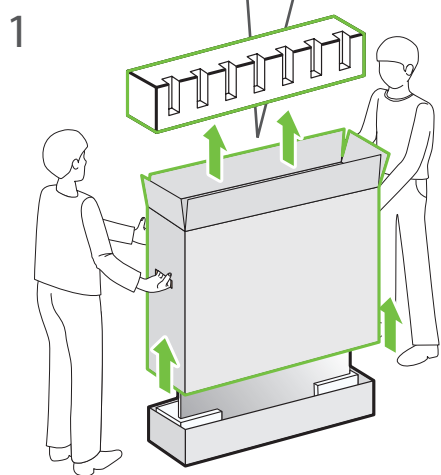
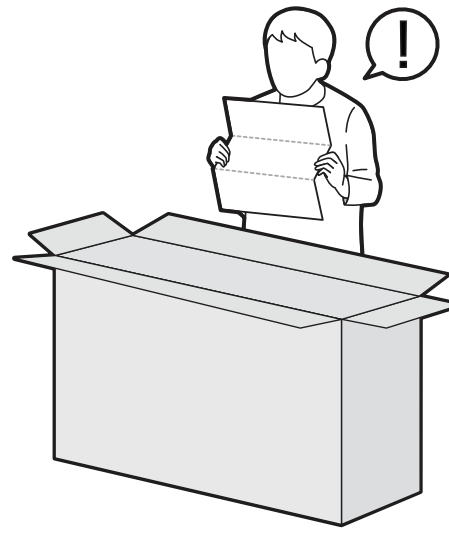
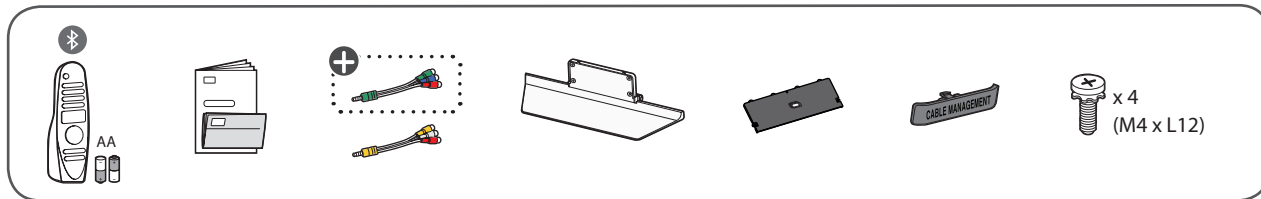
Quick Start Guide



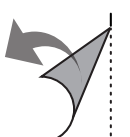
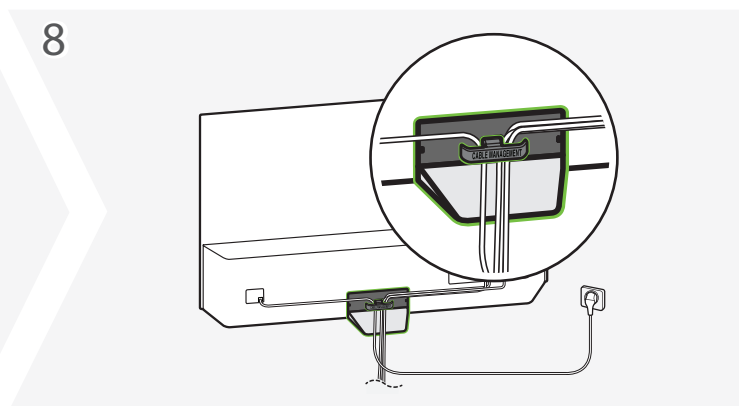
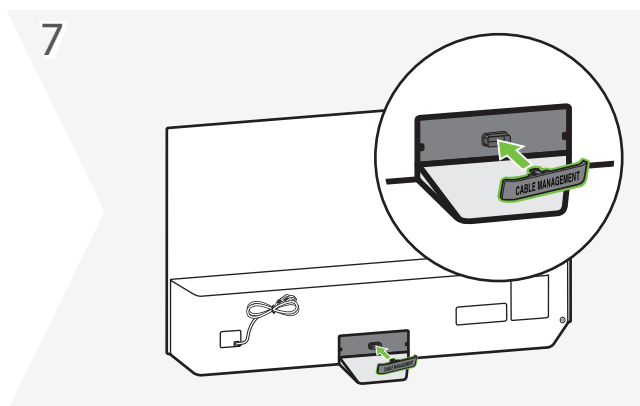
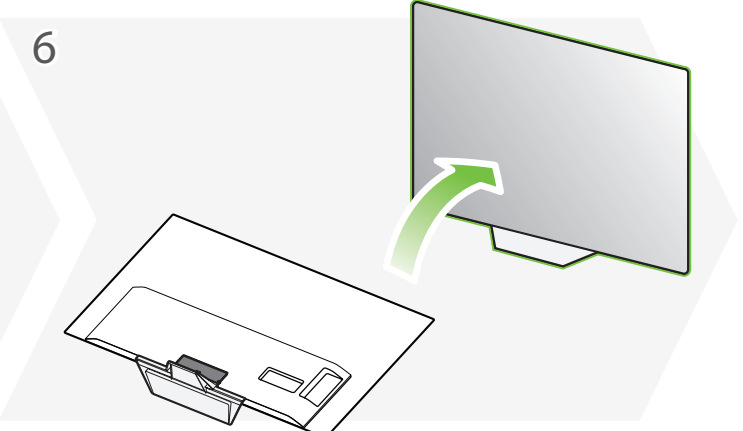
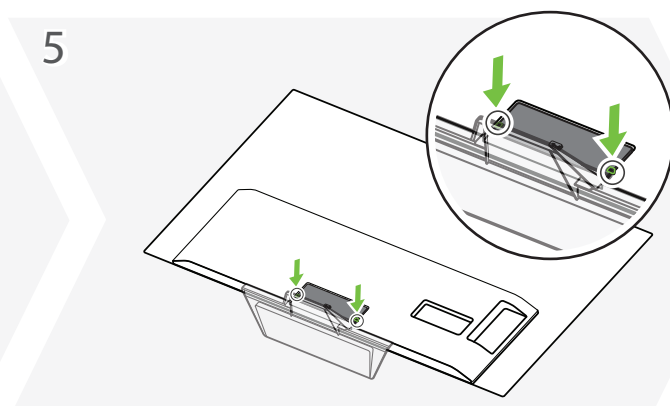
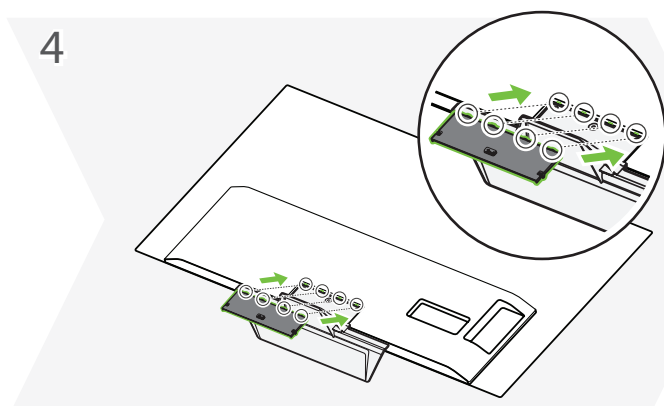
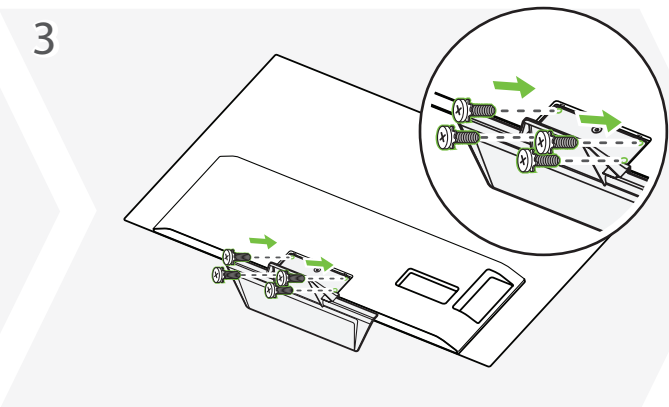
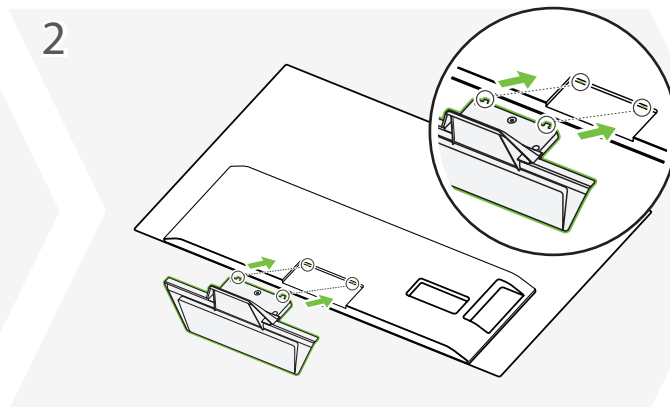
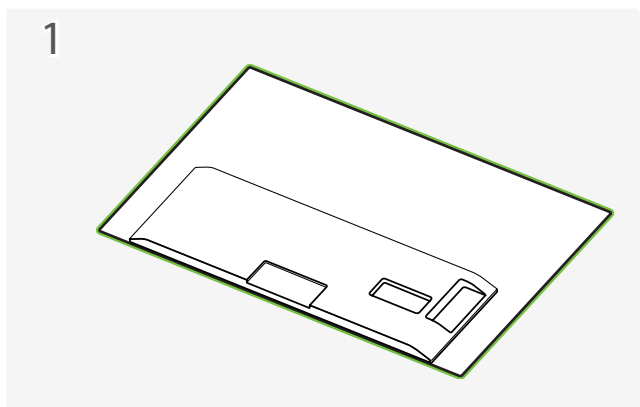
Images shown in manual
may vary depending on model

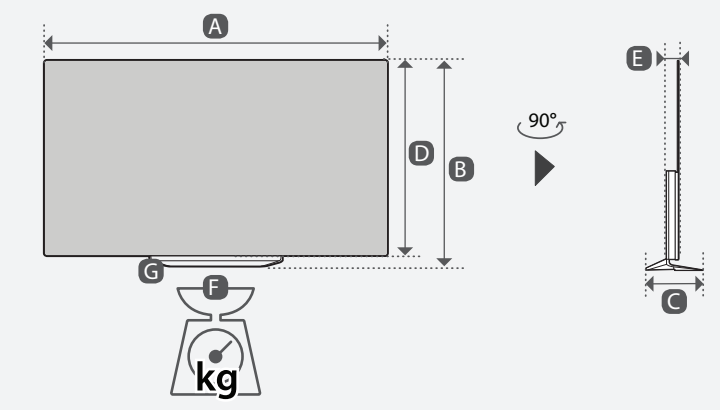
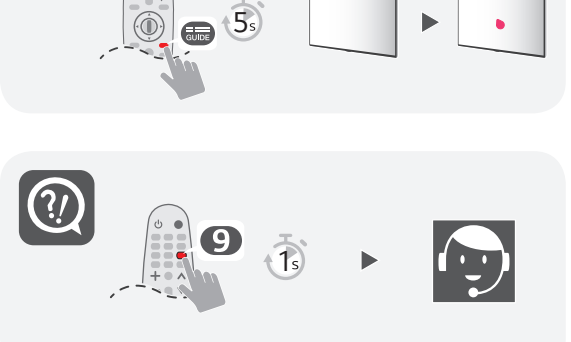
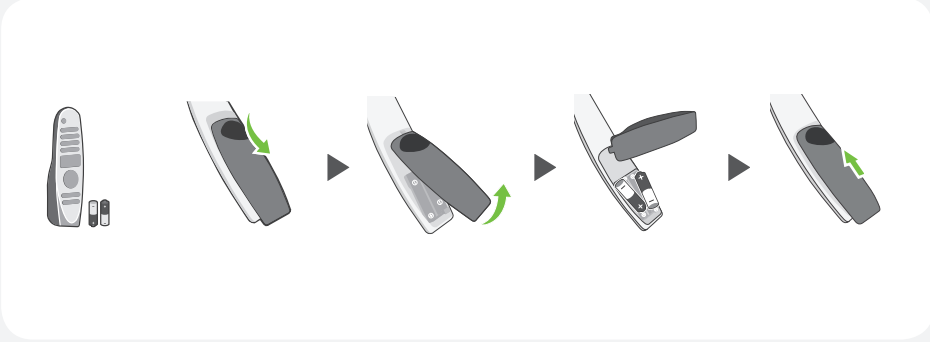
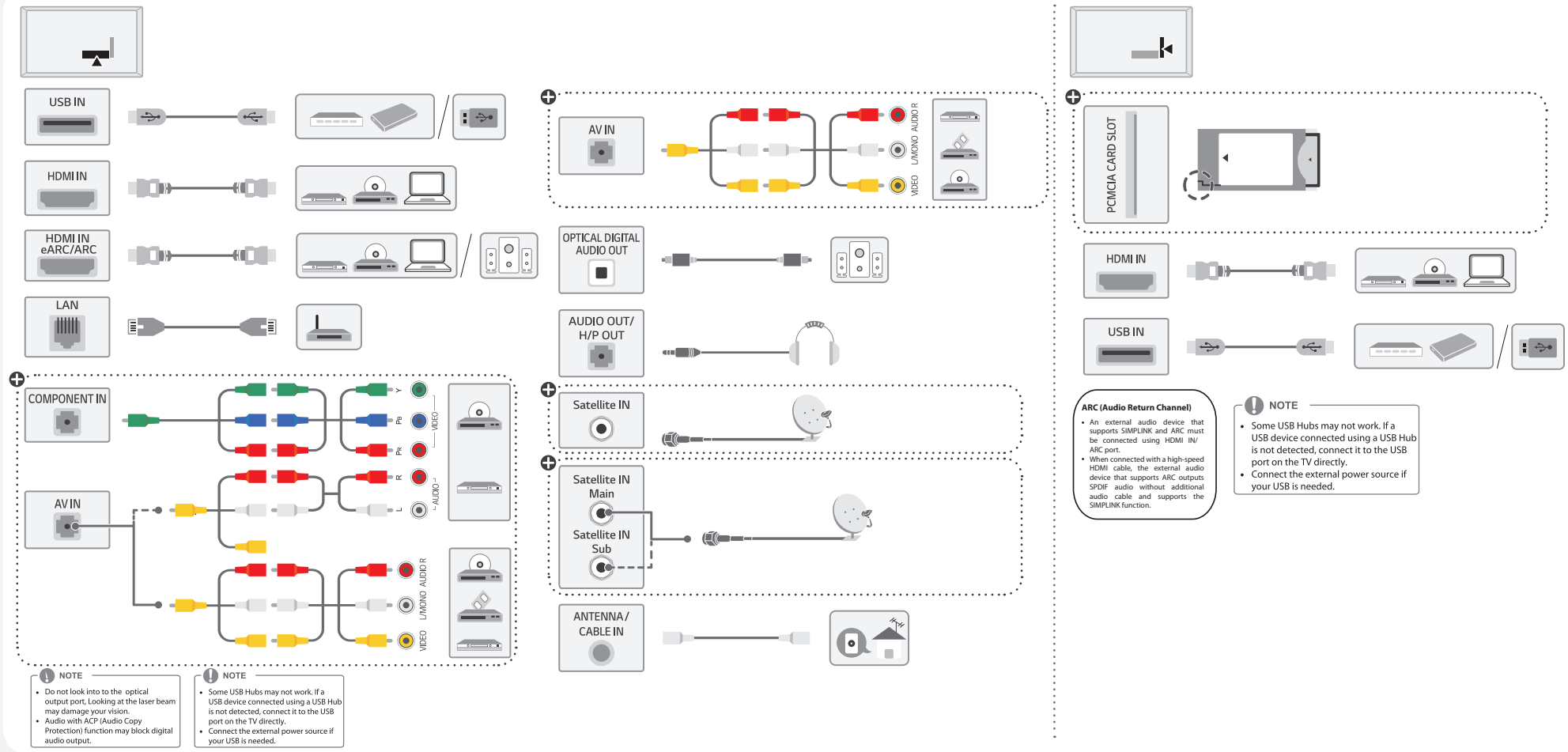
Unpacking

Check your product box for the following items. If there are any missing accessories, contact the local dealer where you purchased your product. The illustrations in this manual may differ from the actual product and item.



CAUTION
Image shown may differ from your TV
When attaching the stand to the TV set, place the screen facing down on a cushioned table or flat surface to protect the screen from scratches.





	A	B	C	D	E	F	F-G
	(mm)					(kg)	
OLED55BXPTA OLED55BXPVA	1228	744	246	706	46.9	19.9	18.9
OLED65BXPTA OLED65BXPVA	1449	869	246	830	46.9	25.0	24.0
Power requirement	AC 100-240 V - 50 / 60 Hz						



ENGLISH Read **Safety and Reference**.
Due to environmental government regulations about imports and battery destruction in Colombia, TVs will not include the batteries for the remote control.

Easy Setup Guide
Please read this manual carefully before operating your set and retain it for future reference.

⊕ : Depending upon model