

Printing Specification

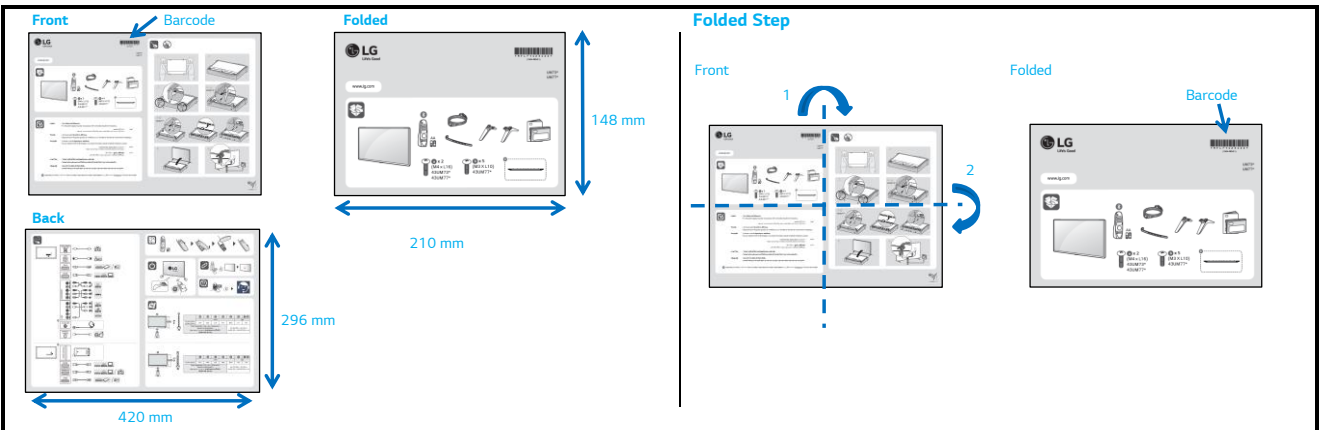
1. Model Description

Model/Item Name	: 43UM7300PTA	Brand name	: LG	Part number	: MFL71423424
Suffix	: MG	Product	: B2C TV	(Revision number)	: (REV00)

2. Printing Specification

1. Trim size (Format) (W X H)	: 420 mm x 296 mm (A3), Folded (210 mm x 148 mm)				
2. Printing colors	<ul style="list-style-type: none"> • Cover : - • Inside : 1 Color (Black) 				
3. Stock (Paper)	<ul style="list-style-type: none"> • Cover : - • Inside : Uncoated, wood-free paper 80 g/ m² 				
4. Bindery	: One sheet (2 Folded)				
5. Number of pages	: 8				
6. Language	: ENG/FRE/POR/THA/VIE/PER/ARA (7)				

3. Pagination sheet



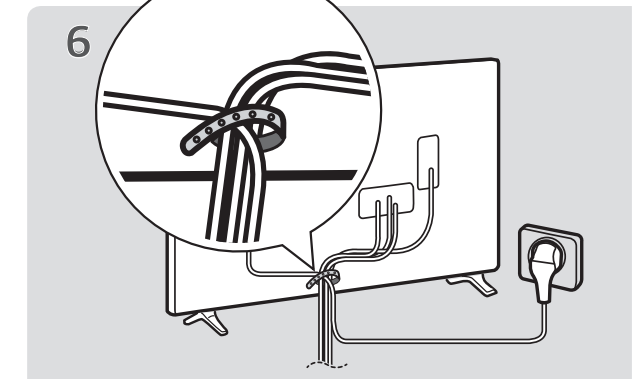
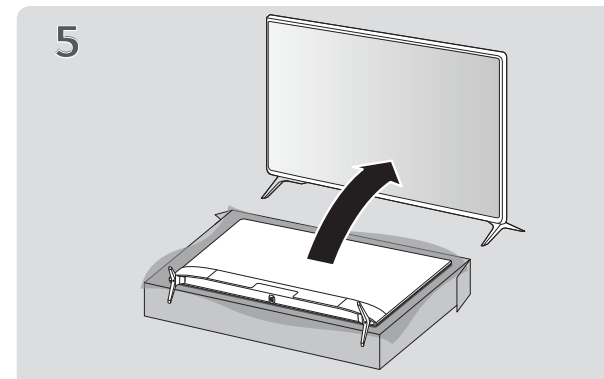
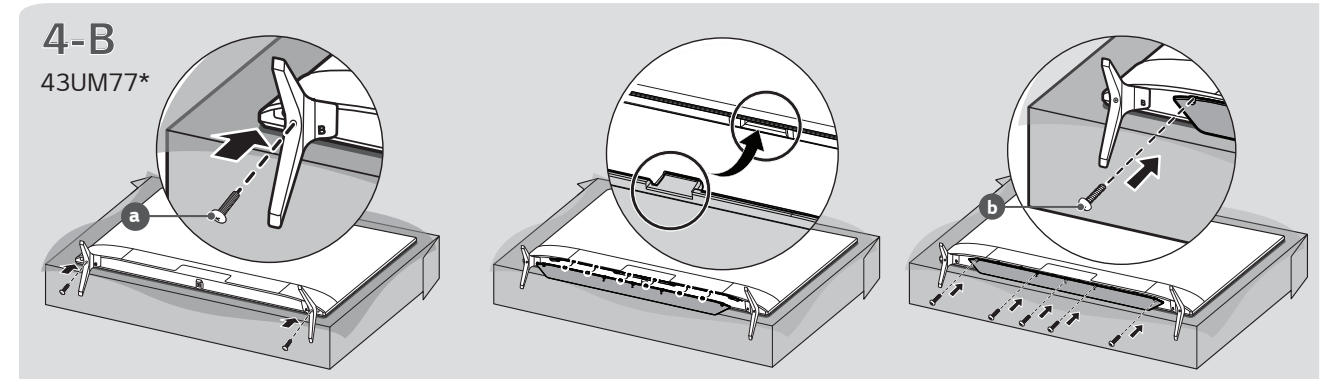
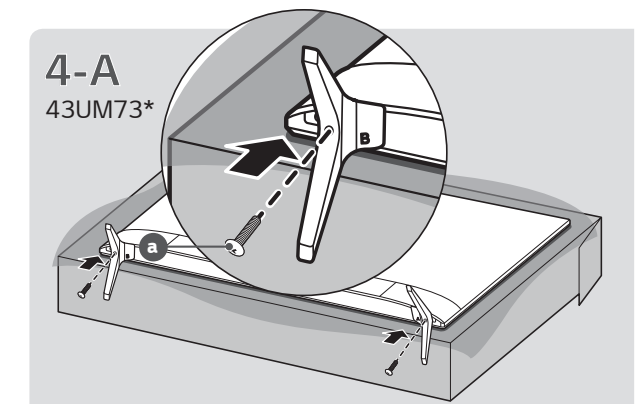
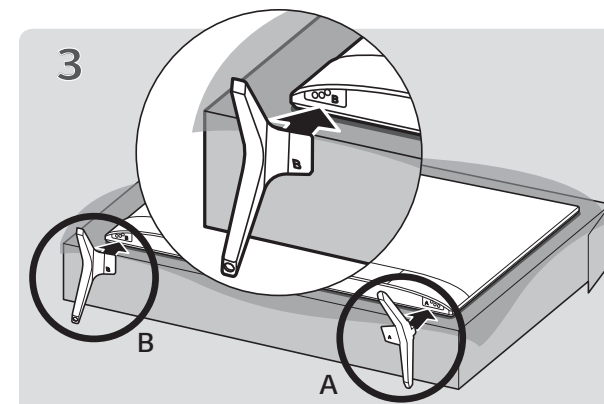
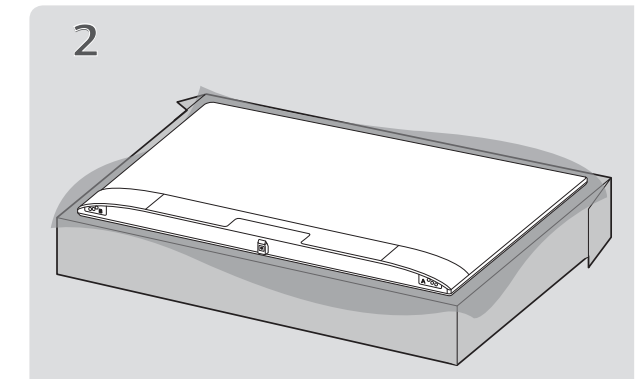
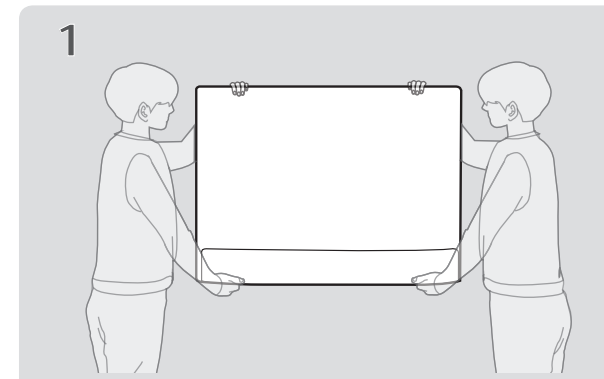
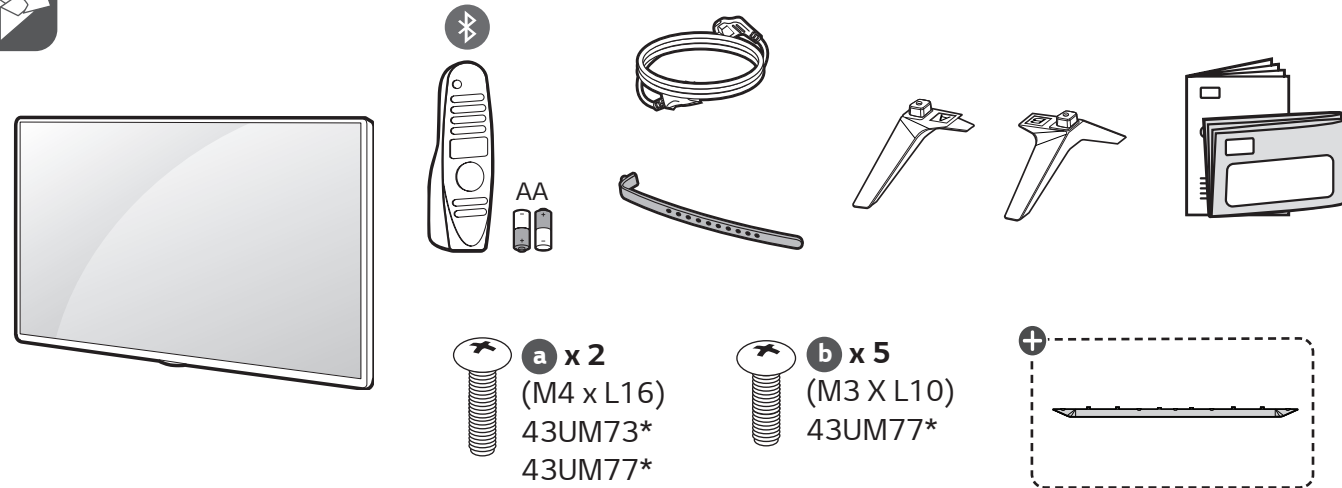
4. Origin Notification

<p>www.lg.com</p> <p>P/No : MFL69707613 (1708-REV03)</p> <p>Printed in Korea</p> <p>Copyright © 2017 LG Electronics Inc. All Rights Reserved.</p>	<p>[Country Name]</p> <p>LGERS/ LGEMX : Mexico</p> <p>LGEKR : Korea</p> <p>LGEMA : Poland</p> <p>LGEND : China</p> <p>Others : Each Country name.</p>
---	---

NOTE	<p>[Restriction of Hazardous Substances]</p> <p>Hazardous substances on this product should be satisfied by substance regulation of Level A-I, A-II, SVHC according to LG(52)B-5011 standard.</p> <p>Especially, Part should be followed and controlled the following specification.</p> <p>(1) Hazardous substances test report should be submitted when part certification test and first mass production.</p> <p>(2) Especially, Don't use or contain lead (Pb) and cadmium (Cd) in ink.</p>
------	---

5. Changes

REV04					
REV03					
REV02					
REV01					
REV00	02/12/2020	Yujin Jeong		Checked :	Taeho Bae
				Approved :	Jongok. Kim
Rev. Number	MM/DD/YYYY	Signature	ECO Number	Change Contents	



English

- Read **Safety and Reference**.
- For the power supply and power consumption, refer to the label attached to the product.

العربية
• قراءة الأمان والمرجع.
• لمعرفة المزيد حول مصدر الإمداد بالطاقة ومعايير استهلاك الطاقة، راجع الملصق الموجود على المنتج.

Français

- Lire le document **Sécurité et référence**.
- Reportez-vous à l'étiquette apposée sur le téléviseur pour connaître les données de consommation énergétique.

Português

- Consulte o manual **Segurança e referência**.
- No que respeita à fonte de alimentação e ao consumo de energia, consulte a etiqueta mostrada no produto.

فارسی
• موارد ایمنی و مرجع را مطالعه نمایید.
• برای اطلاع از منبع تغذیه و مصرف برق، به برچسب دستگاه مراجعه شود.

ภาษาไทย

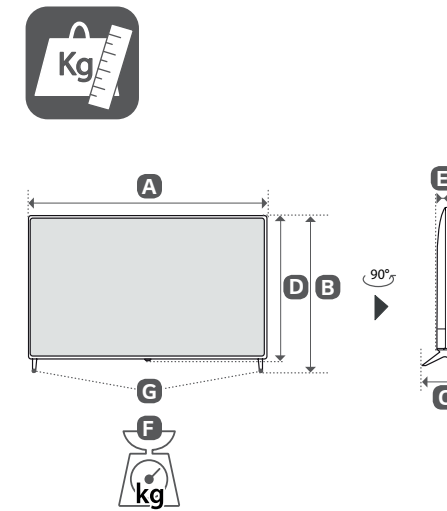
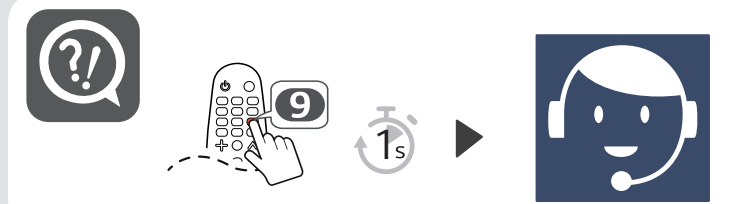
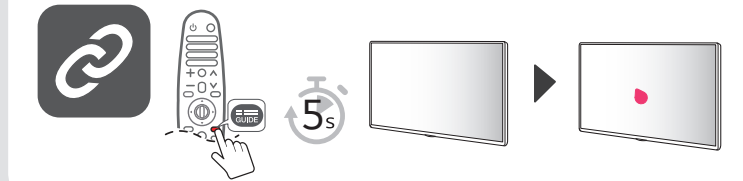
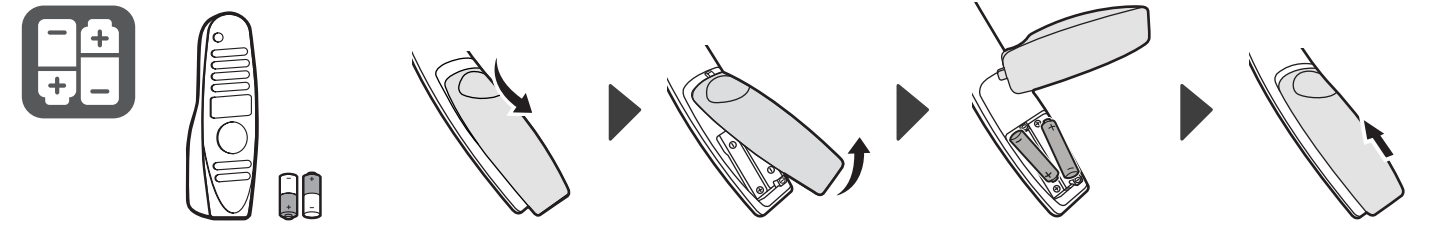
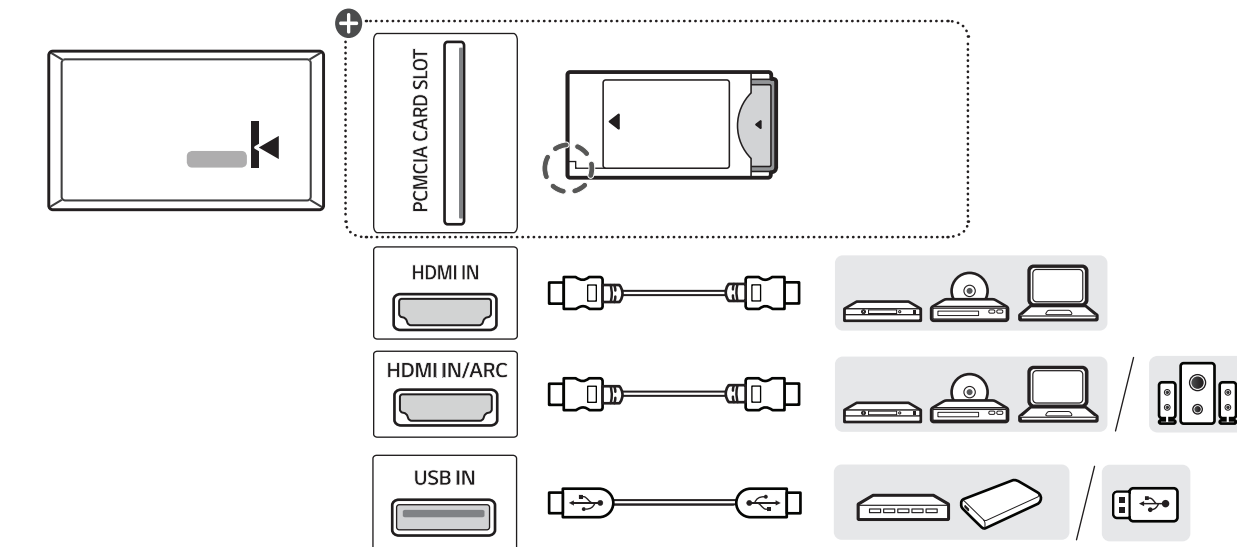
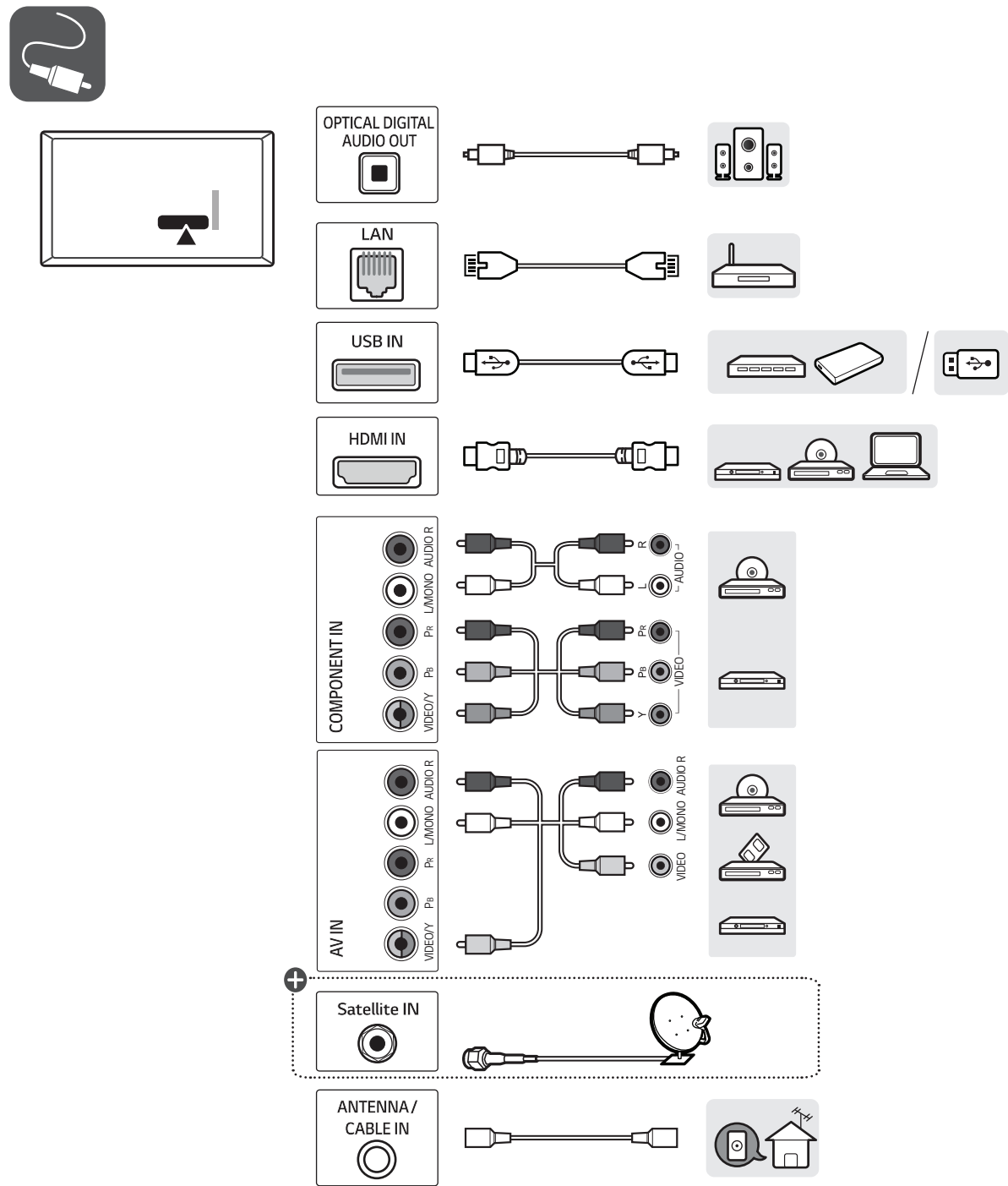
- โปรดอ่านคู่มือใช้ความปลอดภัยและการอ้างอิง
- โปรดอ้างอิงแรงดันและความถี่ไฟฟ้าของเครื่องรับโทรทัศน์ได้จากฉลากด้านหลังเครื่อง

Tiếng Việt

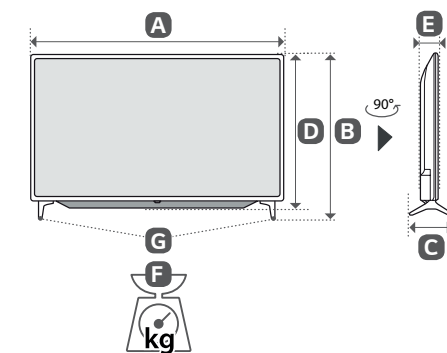
- Đọc phần **An toàn và Tham khảo**.
- Để biết thông tin về nguồn điện và mức tiêu thụ điện, hãy tham khảo nhãn dán trên sản phẩm.

⊕ : Depending on model / حسب الطراز / Selon le modèle / Dependendo do modelo / به مدل بستگی دارد / ขึ้นอยู่กับรุ่น / Tùy theo mã sản phẩm





	A	B	C	D	E	F	F-G
	(mm)				(kg)		
43UM7300PTA 43UM7340PVA	973	623	216	572	85.0	8.1	8.0
Power requirement / متطلبات الطاقة / Alimentation / Requisito de alimentação / شوايط برق / แรงดันและความถี่ไฟฟ้า / Nguồn điện yêu cầu					AC 100-240 V - 50 / 60 Hz تيار متردد 240-100 فولت ~ 60 / 50 هرتز		



	A	B	C	D	E	F	F-G
	(mm)				(kg)		
43UM7780PTA	977	629	216	593	94.4	9.6	9.5
Power requirement / متطلبات الطاقة / Alimentation / Requisito de alimentação / شوايط برق / แรงดันและความถี่ไฟฟ้า / Nguồn điện yêu cầu					AC 100-240 V - 50 / 60 Hz تيار متردد 240-100 فولت ~ 60 / 50 هرتز		