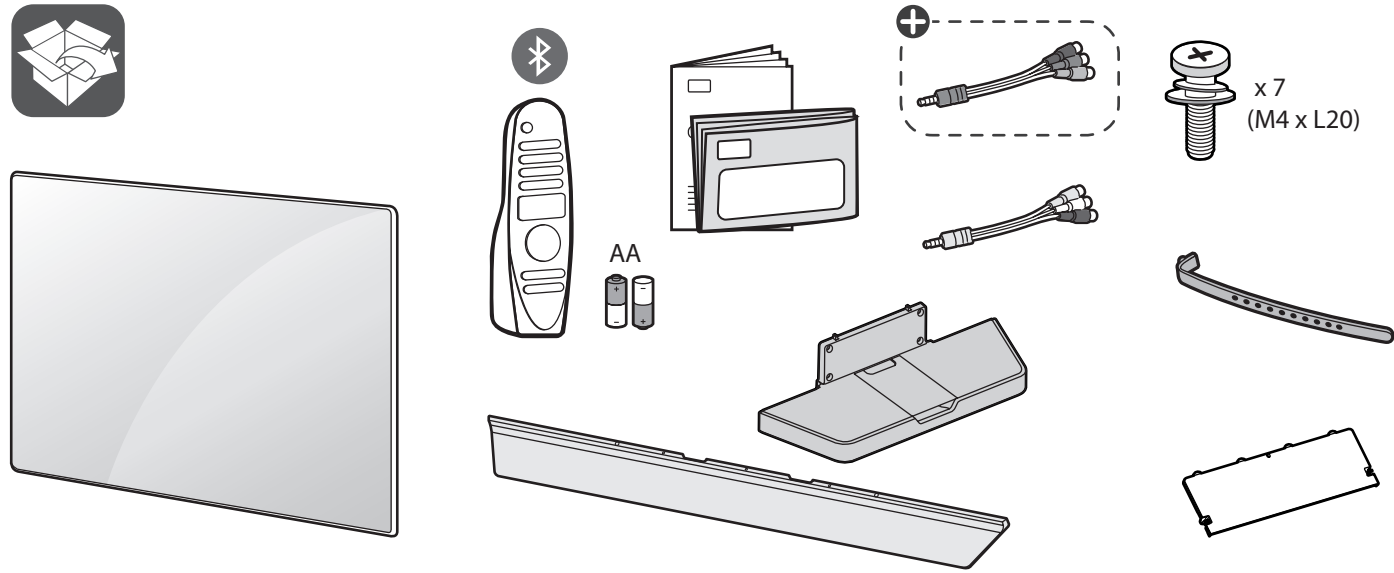




www.lg.com

# Quick Start Guide

OLED55C9\*  
OLED65C9\*



## Unpacking

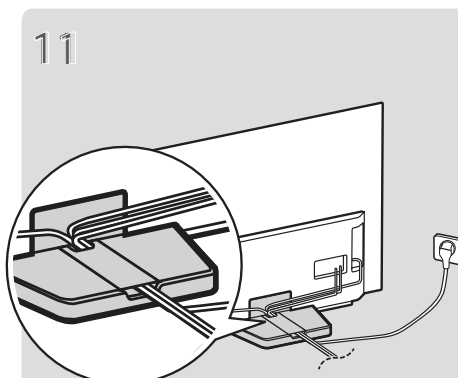
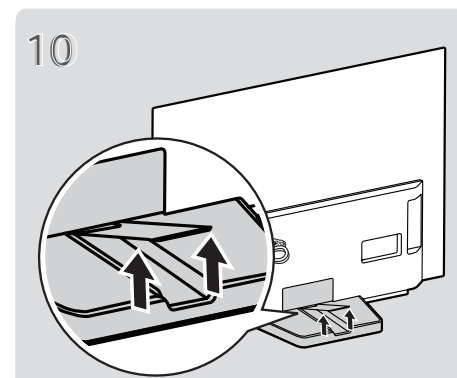
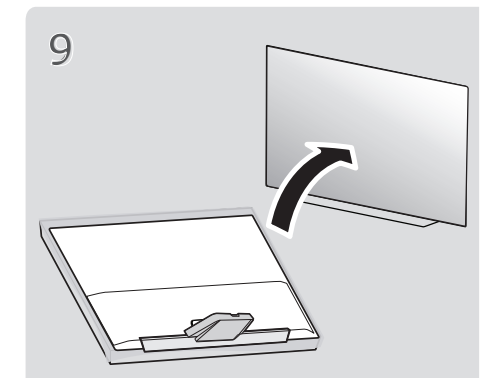
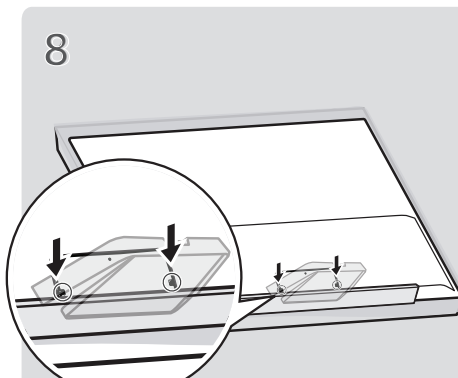
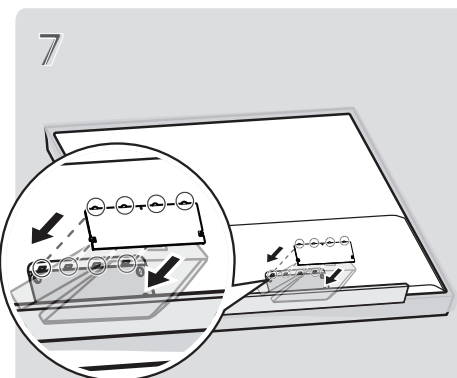
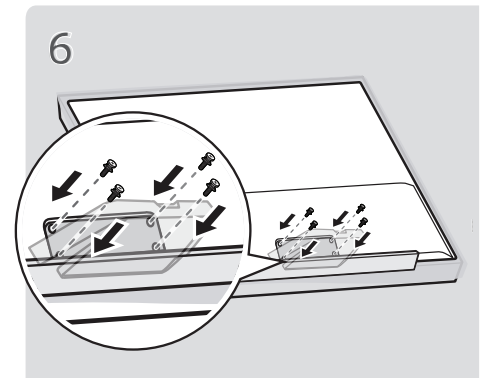
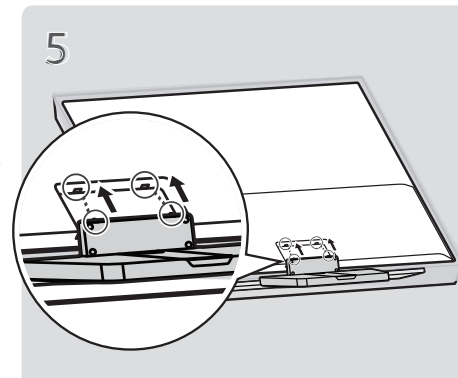
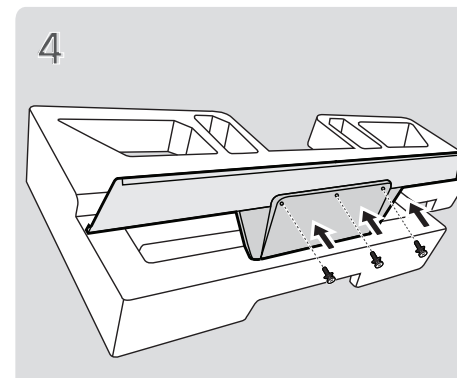
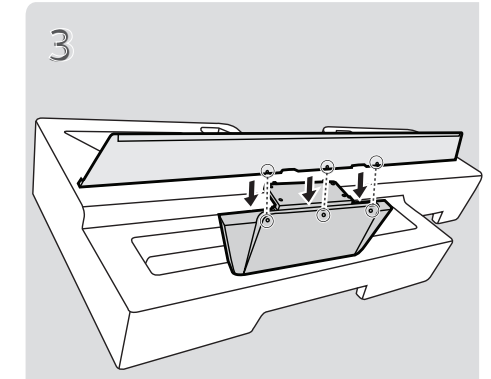
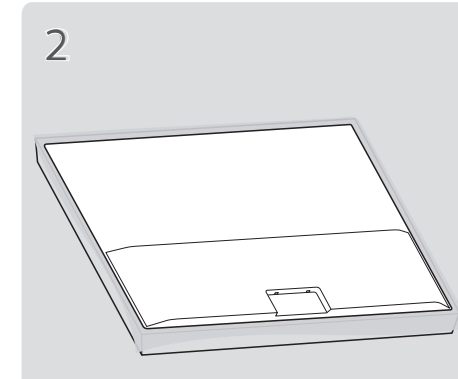
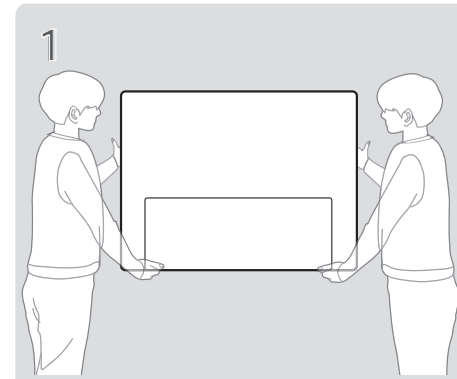
Check your product box for the following items. If there are any missing accessories, contact the local dealer where you purchased your product. The illustrations in this manual may differ from the actual product and item.

\*Image may vary depending on models.



English

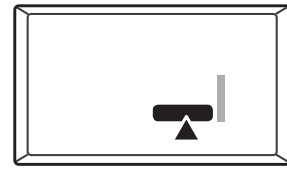
- Read **Safety and Reference**.
- For the power supply and power consumption, refer to the label attached to the product.



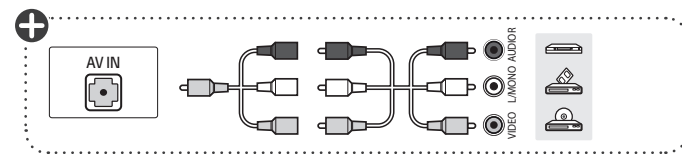
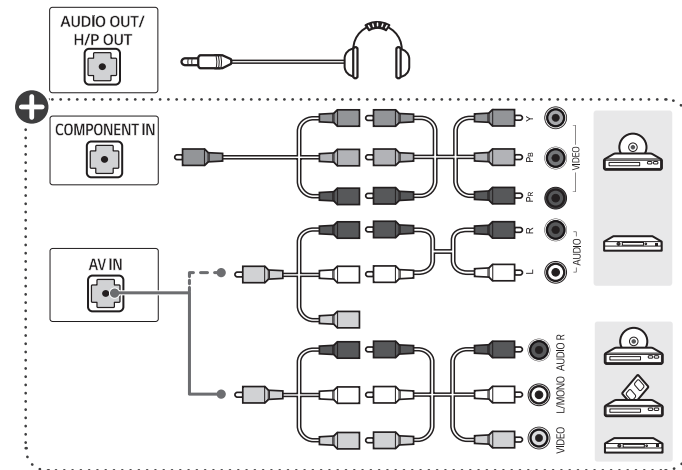
**CAUTION**  
Image shown may differ from your TV  
When attaching the stand to the TV set, place the screen facing down on a cushioned table or flat surface to protect the screen from scratches.

⊕ : Depending on model

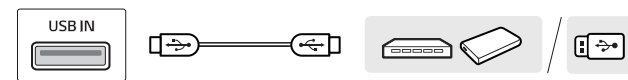
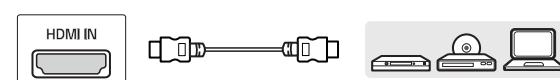
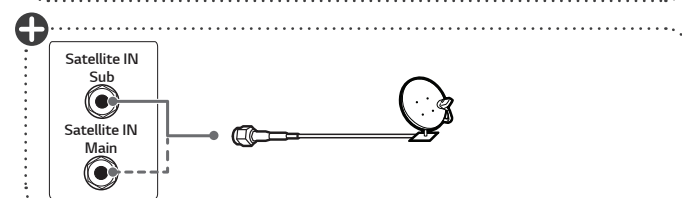
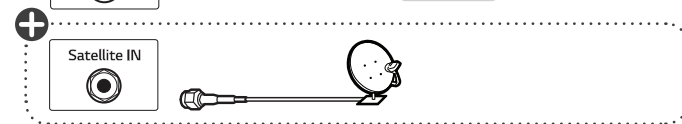
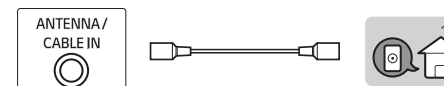
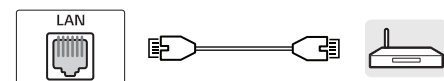
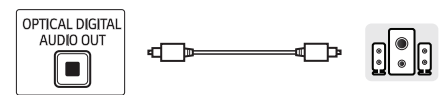




⊕ Depending on Model



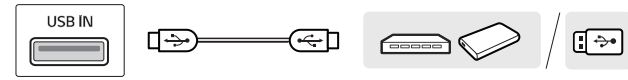
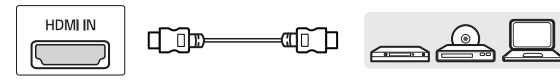
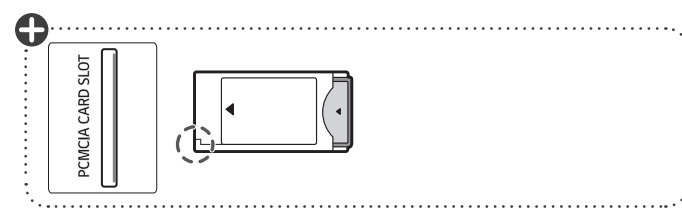
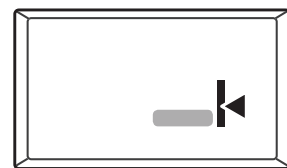
**CAUTION**  
Image shown may vary depending on model.  
All connection cables & devices shown in the picture are not included along with the TV set.



**NOTE**  
Image shown may vary depending on model.  
All connection cables & devices shown in the picture are not included along with the TV set.

**NOTE**  
• Some USB Hubs may not work. If a USB device connected using a USB Hub is not detected, connect it to the USB port on the TV directly.  
• Connect the external power source if your USB is needed.

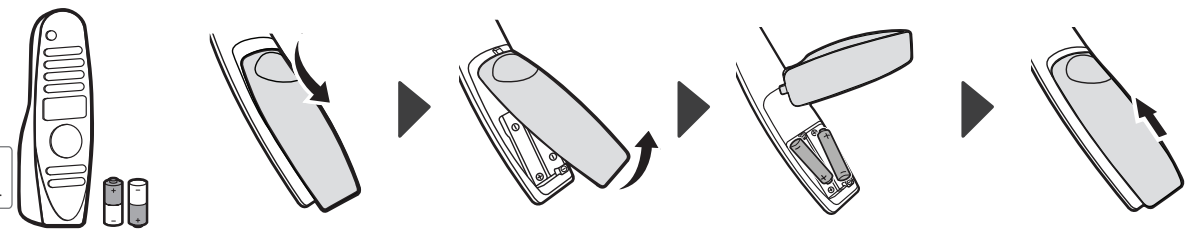
**NOTE**  
• Do not look into the optical output port. Looking at the laser beam may damage your vision.  
• Audio with ACP (Audio Copy Protection) function may block digital audio output.



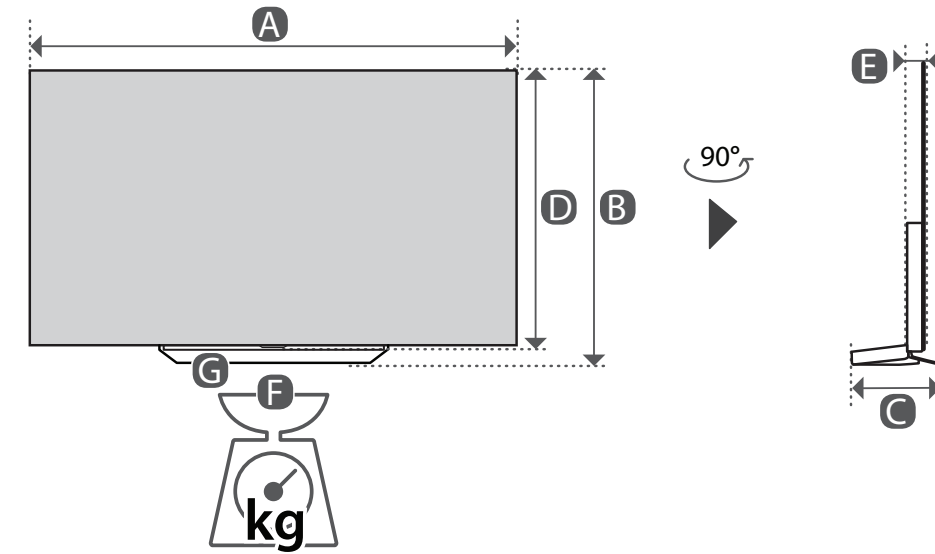
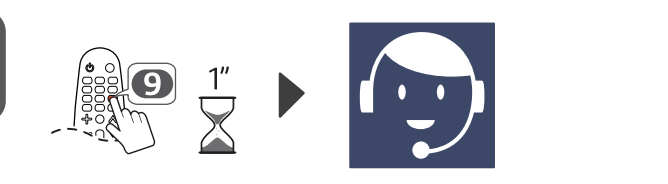
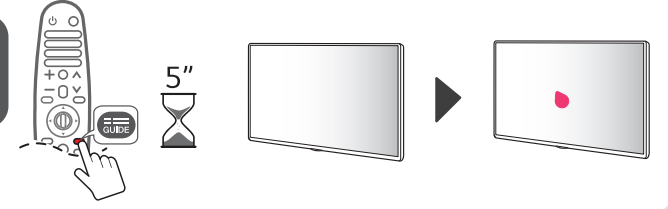
**CAUTION**  
Image shown may vary depending on model.  
All connection cables & devices shown in the picture are not included along with the TV set.



**NOTE**  
Image shown may vary depending on model.



**NOTE**  
Image shown may vary depending on model.



	A	B	C	D	E	F	F - G
	(mm)					(kg)	
OLED55C9PTA OLED55C9PVA	1228	738	251	706	46.9	23.0	18.9
OLED65C9PTA OLED65C9PVA	1449	862	251	830	46.9	33.9	25.2
Power requirement	AC 100-240 V - 50 / 60 Hz						