

● **BLAUPUNKT**

**BH61 MOKSHA**

HYBRID HEADPHONE



Operating Instructions

***Enjoy it.***

Congratulations and Willkommen! You are now part of the Blaupunkt family.

You have chosen German iconic brands premium ear-buds and have become a part of an elite group that enjoys and appreciates the finest audio experience.

To get the best performance from your Blaupunkt audio product please read this manual carefully and follow the instructions. This will ensure you get the most out of your Blaupunkt product. Keep the manual safely and refer to it when in doubt.

**JUST  
ONE SCAN  
CAN!**



One QR Code to access everything - Warranty, Blue Points, Manuals, Service and all you will ever need.

**Packing list:**

Headset x1

Type -C Audio input cable x1

Type -C charging line x1

**Product specification**

BT Version: V5.4

Speaker Size: 40mm

Speaker impedance:  $32\Omega \pm 15\%$

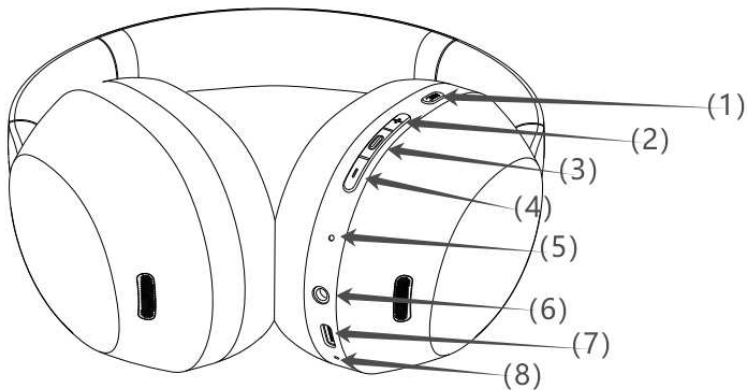
Speaker sensitivity:  $99 \pm 3\text{dB}$

Frequency Response: 20Hz ~ 20KHz

Battery talk/music time: about 50H

Charging interface: Type-c

Audio interface: 3.5mm



## Product Function key Interface function diagram

- (1) ANC button: ANC on /ANC off
- (2) Call short press: volume plus Long press: Next song
- (3) Power : power on /power off/ Pause /Play/

Answer/hang up the phone

Bluetooth connected: Double-click to call a recent call

- (4) Short press: Volume reduction

Long press: last song

- (5) Indicator light

- (6) Audio port

- (7) Charging port

- (8) Microphone

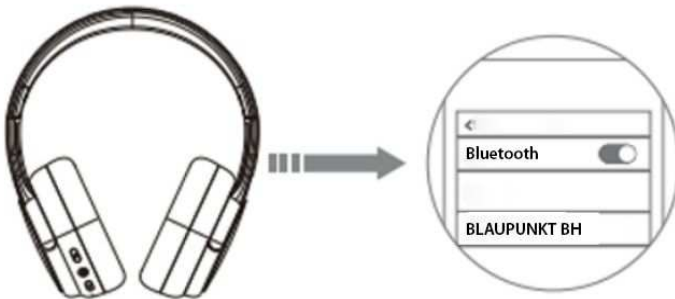
## Operating instruction

1. Match:

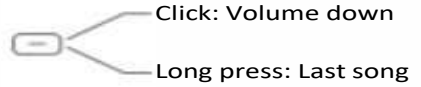
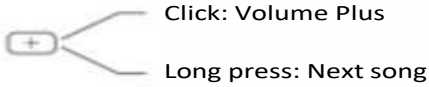
Long press(3) button to turn on the headset.

Open the smart device Bluetooth and search the Bluetooth name "**BLAUPUNKT BH**"

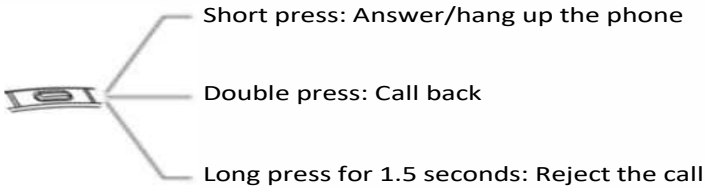
Click the connection is successful;



## 2. When music is playing



## 3.. When the phone is on hands-free



## LED light introduction

Turn on	Blue light flashing
Turn off	The red light goes off for two seconds
The state of the device after Bluetooth is connected	Light goes out
When searching for Bluetooth devices	Red /blue light flashing
Disconnected state	Red /blue light flashing
Headphones are charging	Steady red light
Fully charged headphones	Red light go out

## **Warranty Information 1 Year**

If you have issue with our product please contact our service center Authorized Service Centre Blaupunkt Speakers

### **Address: Envent World Wide Pvt Ltd.**

Khasra. No- 15/15(4-16), Village Samalkha, Tehsil Vasant Vihar, New Delhi- 110037 Tel. 18008434333

Please prepare & submit the following information during the telephone or e-mail notification to facilitate the process.

- Serial Number
- Date of purchase
- A copy of proof of purchase in case of warranty

### **Note- Important Information**

Please use the original packaging or other suitable packaging to protect the unit in transit.